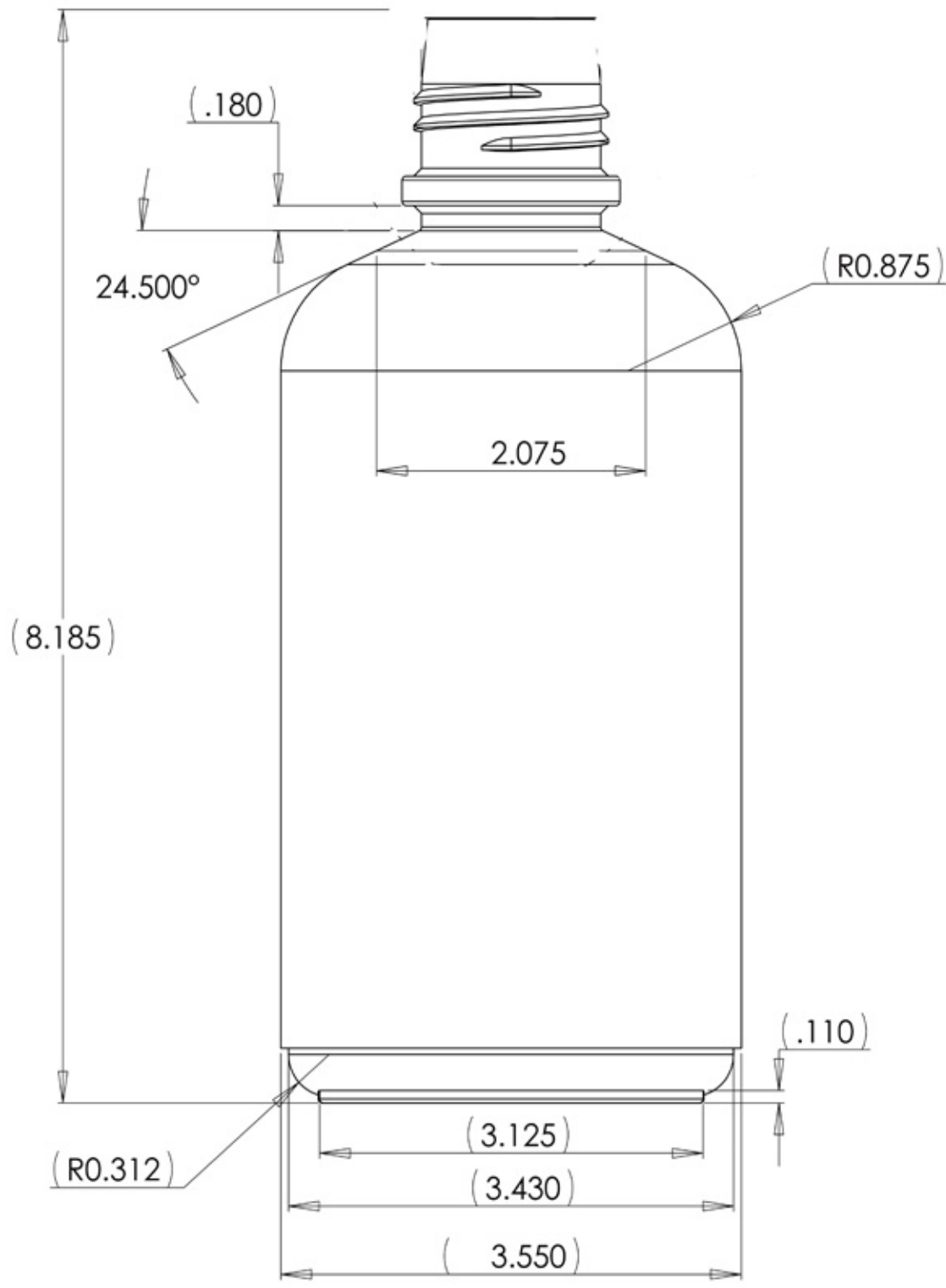


Item #:
35136-B

Note:
Measurements Expressed in Inches



Item #:	35136-B	Description	32 OZ HDPE BOSTON ROUND BOTTLE, WHITE
Bottle Size (Dia.xH)	3.6" x 8.3"	Cases Per Full Pallet	15
Case Pack	102	Gram Weight	95
Carton Dimensions	24" x 16" x 26"	Full Pallet Dimensions	40" x 48" x 85"
Case Weight	20	Full Pallet Weight	350
UN Marking Liquid	N/A	UN Marking Solid	N/A