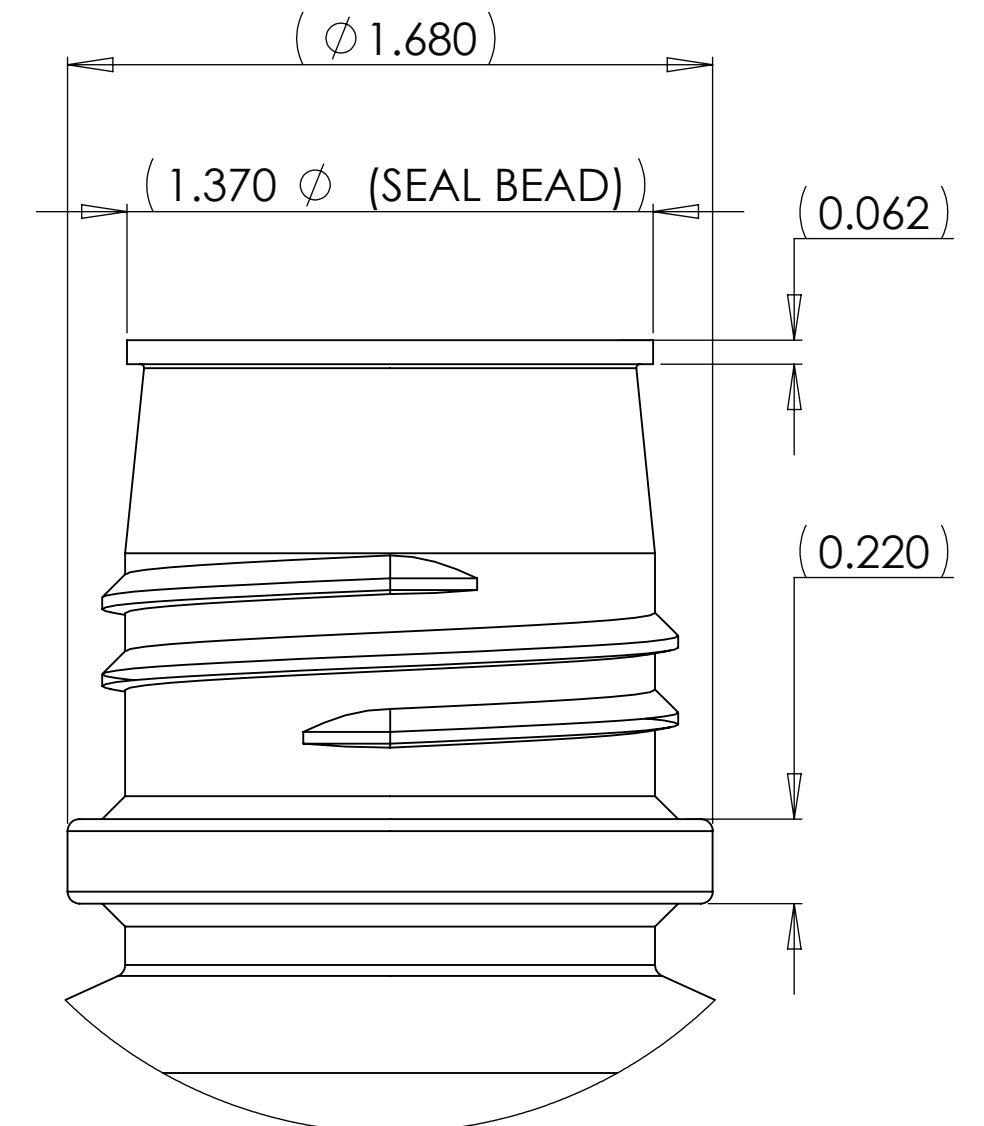
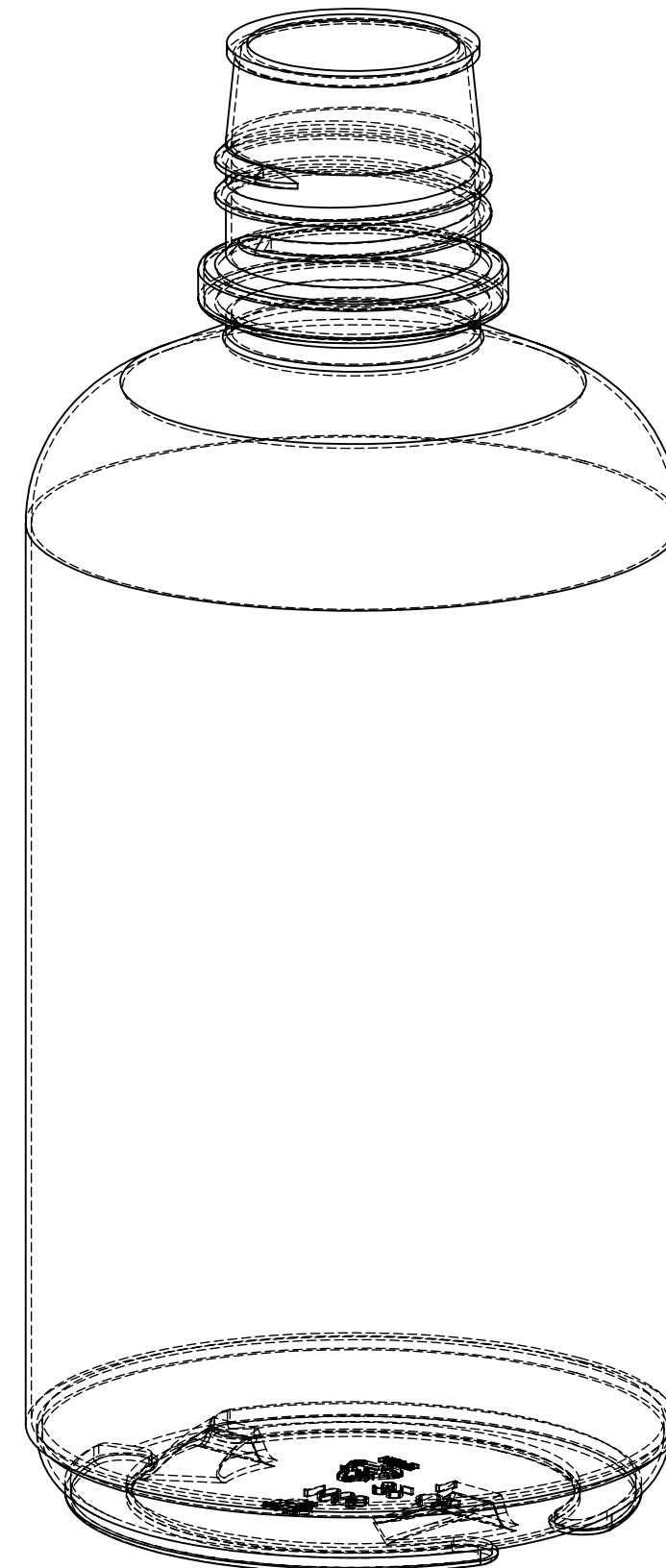
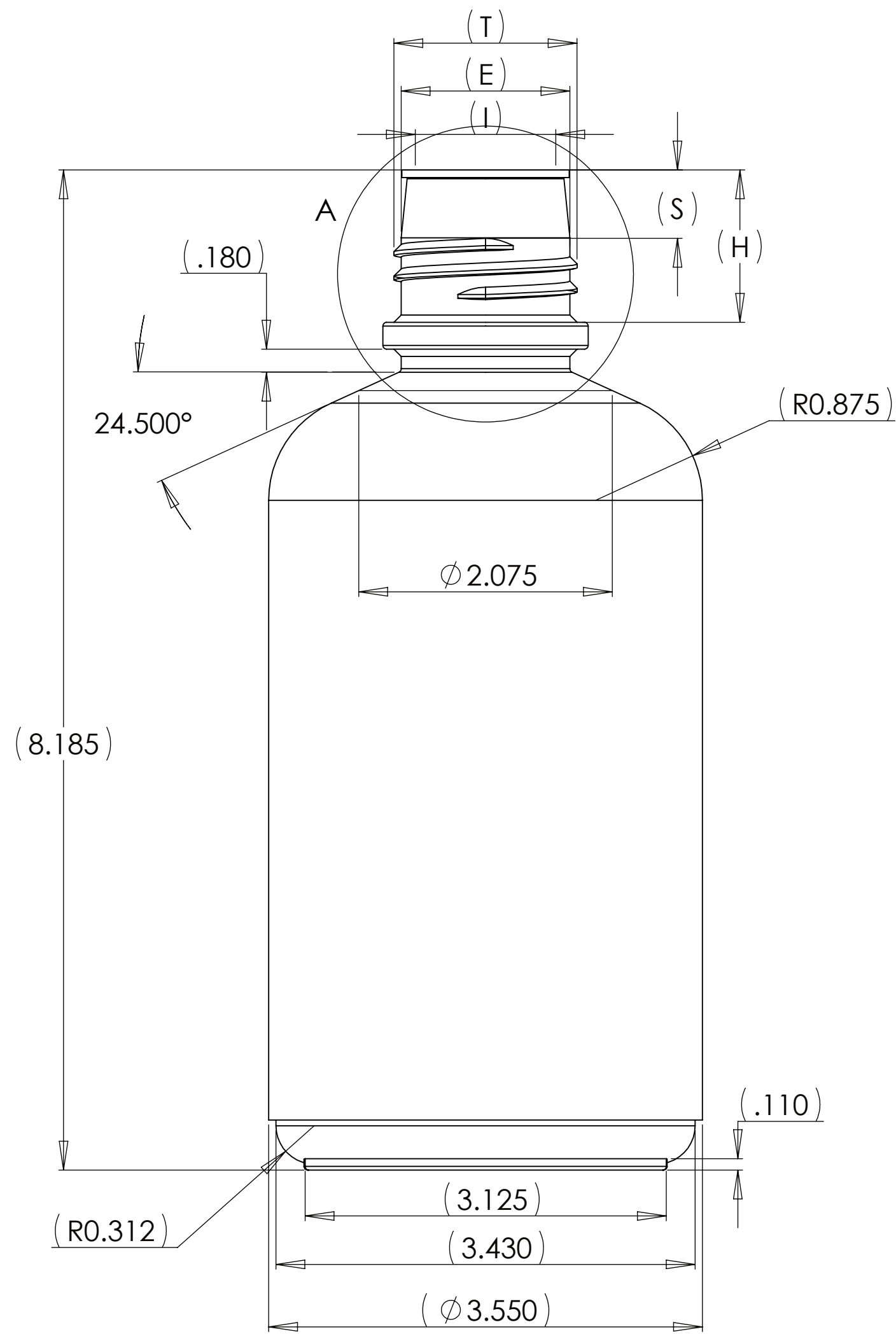
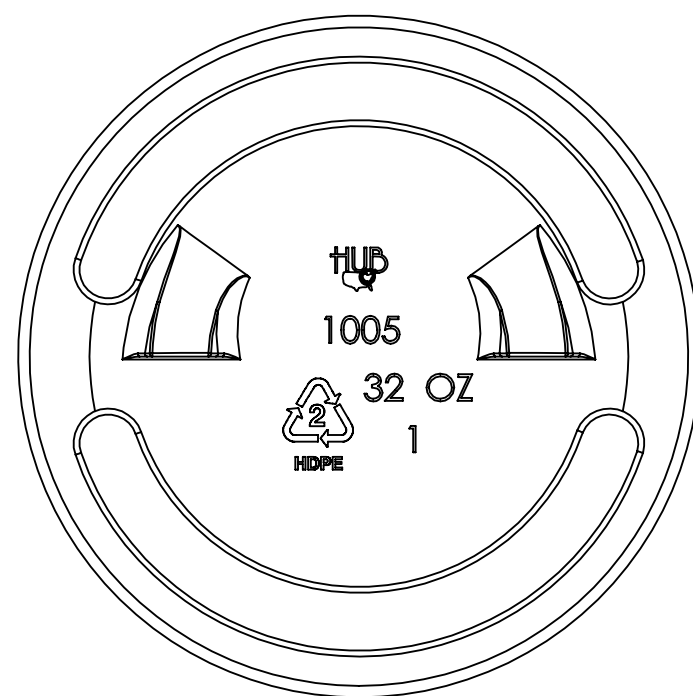


NOTICE CONFIDENTIAL PROPERTY
 ALL INFORMATION & DRAWINGS CONTAINED HEREIN ARE THE SOLE CONFIDENTIAL PROPERTY OF HUB PLASTICS INC. REPRODUCTION OF THIS MATTER IN WHOLE OR IN PART IS FORBIDDEN WITHOUT THE EXPRESS WRITTEN CONSENT OF HUB PLASTICS INC.

SYM.	DATE	REVISIONS
4	12.14.92	CHANGED DIM, TB & TEXT SCALE, ADD TOL
5	11.16.94	CHANGED H & S DIM
6	1.18.95	REMOVE 34oz. & ADDED SEAL BEAD ϕ . AND CORRECTED O.A.H
7	3.3.99	ADDED LDPE "I" DIM
8	4.16.99	CHANGED T & E DIM, FOR LDPE
9	4.26.99	DELETE LDPE NOTE.
10	6.13.02	REDRAWN IN SOLIDWORKS.
11	3.19.04	CORRECTED ANGLE DIM TEXT (24.5)



A (2:1)



38-430 Neck Finish (5 pitch)

SYM.	MAX.	MIN.
T	1.512	1.488
E	1.392	1.368
H	1.262	1.232
S	0.575	0.545
I	0.000	1.125
SEAL BEAD	1.382	1.358

TOLERANCES	REVISIONS		
	NO.	DATE	BY
DECIMAL ±.000	6	1.18.95	CCA
	7	3.3.99	CCA
HEIGHT ±.060	8	4.16.99	CCA
	9	4.26.99	CCA
WIDTH&DEPTH ±.060	10	6.13.02	MW
	11	3.19.04	MW

32 OZ. BOSTON ROUND
HUB PLASTICS INC.

DRAWN BY	MW	SCALE	1-1	MATERIAL	HDPE
CHK'D		DATE	6.11.02	DRAWING NO.	
TRACED		APP'D			1005-050