

IF YOU...



MIX IT. FILL IT. PACK IT. SHIP IT.

WE HAVE A PRODUCT FOR YOU



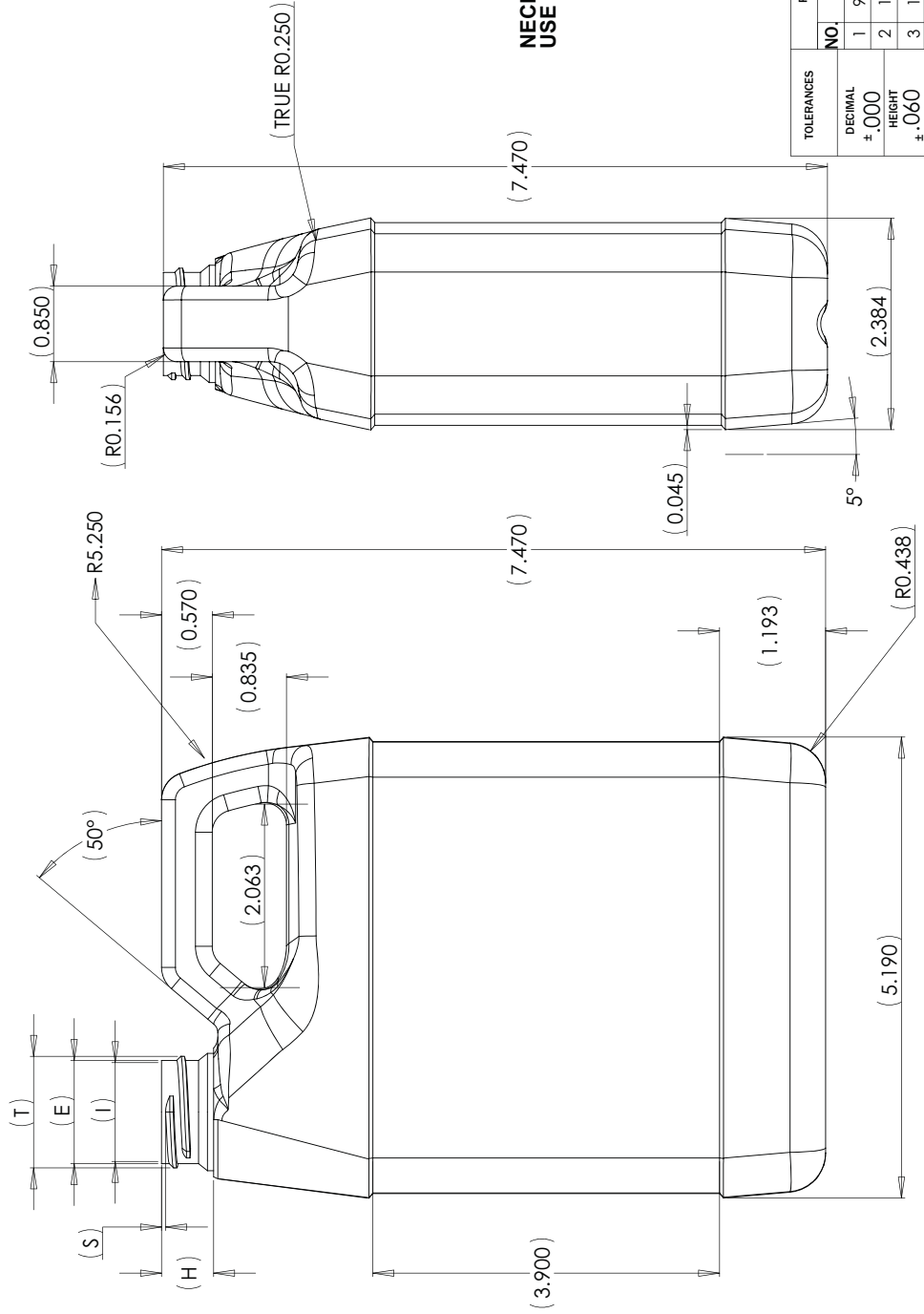
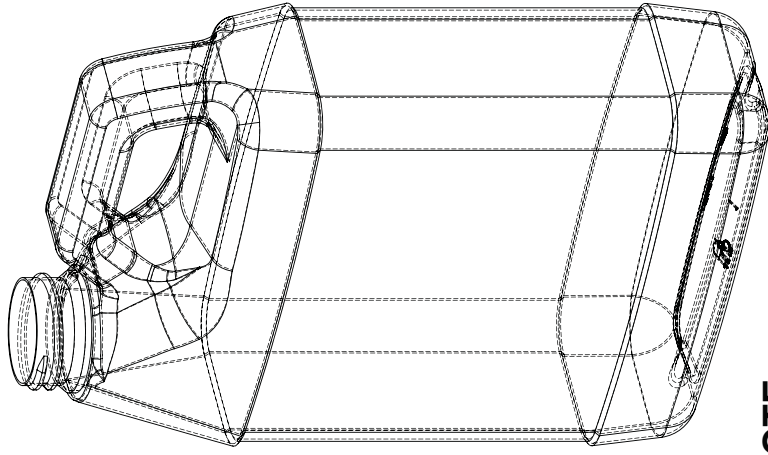
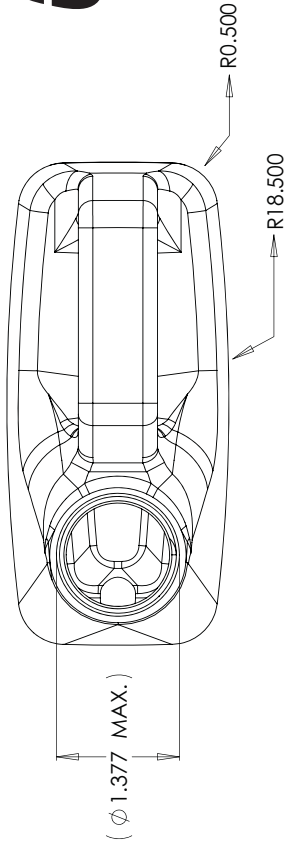
Part #	68WQFW
Capacity	32 oz., 1 qt.
Bottle Style	F-Style
Color	White
Material	HDPE
Dimensions	5.23"L x 2.25"W x 7.46"H
Neck Finish	33-400
Neck Width	33mm
BPA Free	Yes
FDA Approved	Yes
Case Pack	123 ea.
Pallet Pack	1,476 ea. (12 Cases)



Supplied By: **The Cary Company**
 Ph: 630-629-6600
 www.thecarycompany.com



SYM.	DATE	REVISIONS
1	9.14.94	CHANGED "H" DIM. & REF. POINT.
2	1.24.95	ADDED 1.377 MAX. BEAD ϕ
3	1.23.97	CORRECTED "H" DIM.
4	5.26.04	REDRAWN IN SOLIDWORKS. CHANGED DIM. TO ACTUAL PART SIZE.



NOTE
 NECK FINISH TO ALLOW
 USE OF MOST CR CLOSURES.

33-400 NECK FINISH		
SYM.	MAX.	MIN.
T	1.265	1.241
E	1.171	1.147
H	0.601	0.571
S	0.061	0.031
I	0.000	0.791
L	0.000	0.000

1 LITER / 32oz. "F" STYLE			
DRAWN BY	MW	SCALE	1-1
DATE	5.26.04	MATERIAL	HDPE
CHKD		DRAWING NO.	1042-050
TRACED		APPD	

TOLERANCES		REVISIONS	
NO.	DATE	BY	
DECIMAL	±.000	1	9.14.94
HEIGHT	±.060	2	1.24.04
WIDTH&DEPTH	±.120	3	1.23.97
		4	5.26.04