

# IF YOU...



MIX IT. FILL IT. PACK IT. SHIP IT.

## WE HAVE A PRODUCT FOR YOU



Part #	30W250
Capacity	250cc, 8 oz.
Color	White
Material	HDPE
Dimensions	1.79" Dia. x 4.256"H
Neck Finish	45-400
Neck Width	45mm
BPA Free	Yes
FDA Approved	Yes
Case Pack	270 ea.
Pallet Pack	4,860 ea. (18 Cases)
Industries	Pharmaceutical

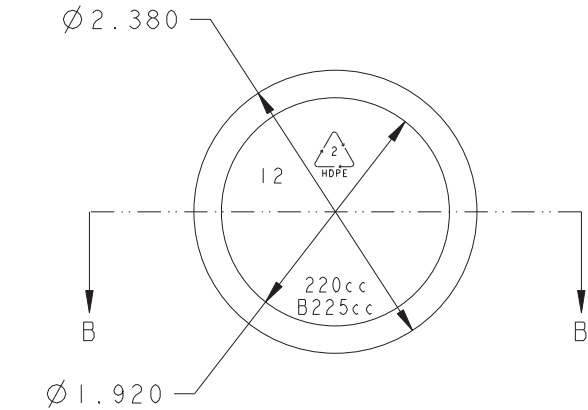
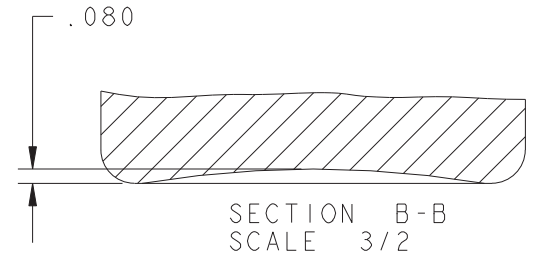
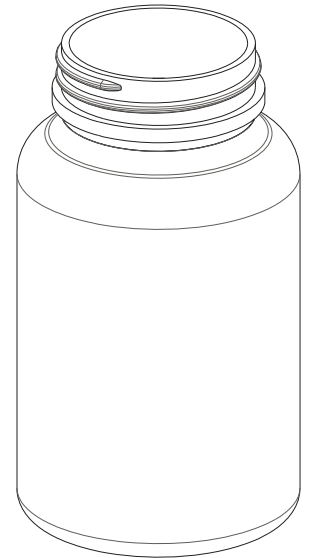
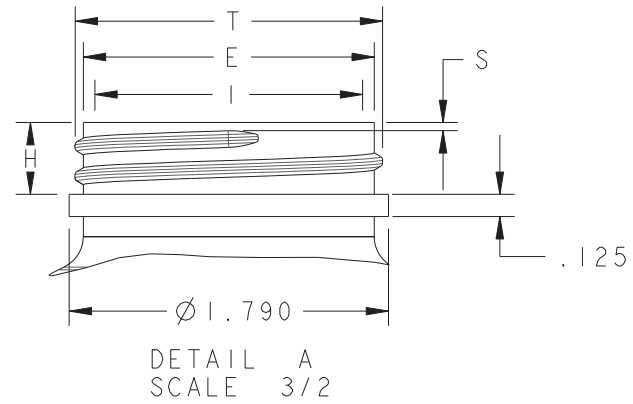
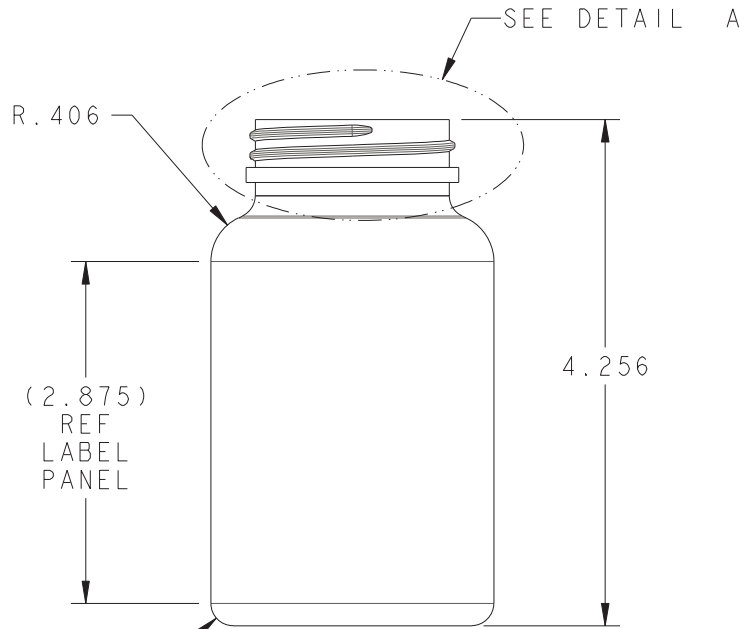




Supplied By: **The Cary Company**

Ph: 630-629-6600

www.thecarycompany.com



Neck Finish: L45SP400							
	<b>Min Thk</b>	<b>Color</b>	<b>Weight</b>	<b>Std. Pack</b>	<b>Revisions</b>		
All measurements are in inches, [Metric]	.015	All Colors	23 Gms±1	335, Stack	A	Add All Colors, HG pack to 300, 06/16/99 BA	
	.025	Heavy Gram (All Colors)	31 Gms ±1	300, Bulk	B	Std format, 11/04/99, SJ	
					C	Mold new 12 cav, add B225cc, 06/02/04, scl	
					D	Remove Lug, 10/5/10, scl	
Neck Dimensions:					Tolerance: Where not shown Decimal ±0.05 [1,27] Angular ±1°		Scale:
T = 1.725±.015 E = 1.631±.015 H = .403±.015 I = 1.251 MIN S = .046±.015					Material: HDPE		Drawn By: SCT Date: 11-04-99
Overflow Capacity: 250 mls ± 7					220cc/225cc PACKER, HDPE, B-LINE,45-400 CT, IBM		DwgRev
					Approved By: SJ		Drawing NO: 225PM2BS45L400