

IF YOU...

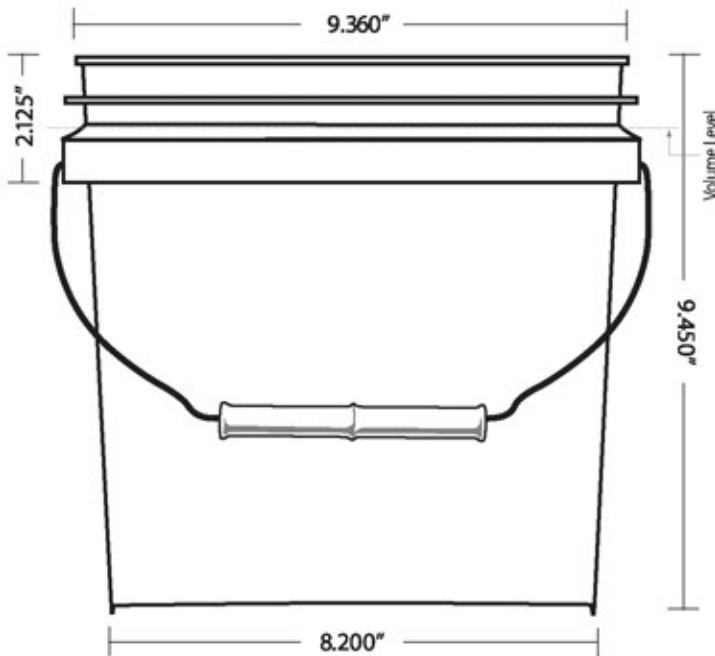


MIX IT. FILL IT. PACK IT. SHIP IT.

WE HAVE A PRODUCT FOR YOU



Part #	56WE2W
Capacity	2 gal.
Color	White
Material	HDPE
Dimensions	9.45"H x 9.36"D
Case Pack	400 ea.
Pallet Pack	800 ea. (2 Cases)
Note	*Pail covers sold separately.



Technical Specifications

Material: HDPE

Wall thickness: 0.062

Maximum capacity under lid: 290 fluid oz.

Overflow capacity: 302 fluid oz.
or 2.35 gal. (to the rim)

Dimensions

Diameter: 9.360" +/- 0.010

Height: 9.450"

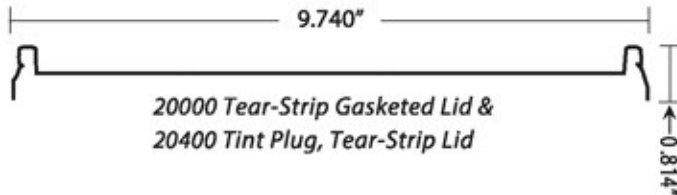
Available decoration

4 color dry offset printing

Handle

Wire handle: 12 gauge galvanized wire
with injection molded plastic grip

ITEM NUMBERS: 20000 & 20400 LID



20000 Tear-Strip Gasketed Lid &
20400 Tint Plug, Tear-Strip Lid

Technical Specifications

Material: HDPE

Wall Thickness: 0.062

Dimensions

Diameter: 9.740" +/- 0.010

SPECIFICATIONS

Description	Item	Material	Case Pack	Cases Per Pallet	Ship Weight	Case Cube	Maximum Print Area	Estimated Truckload Qty
2 Gallon / 256 oz. / 7.57 L	20256	White	400	2	395	55.44	5-5/8" x 26-1/2", 1/2" gap	(Containers and Lids) 20,000
Tear Strip Gasket Lid	20000	White	100	40	27	2.76	N/A	
Tint Plug, Tear-Strip Lid	20400	White	100	40	27	2.76	N/A	