

IF YOU...

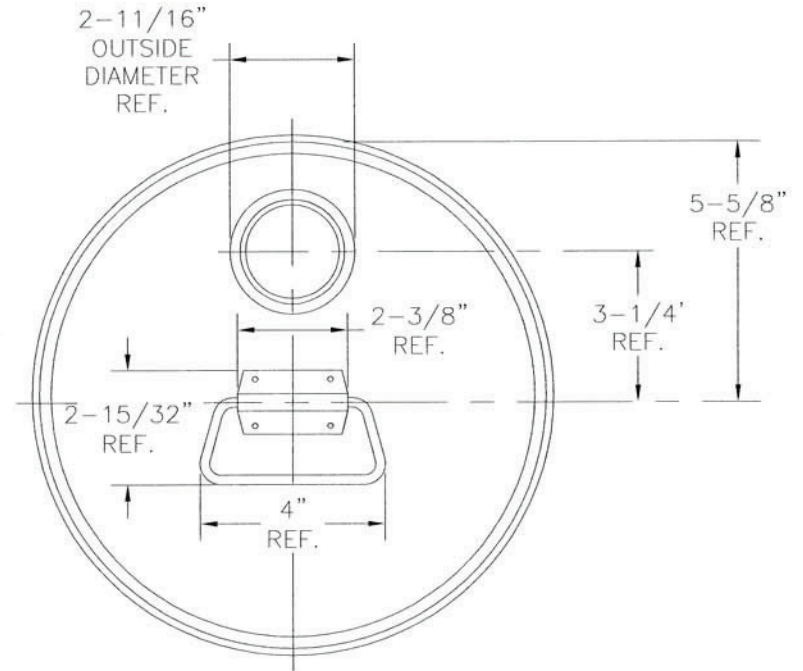
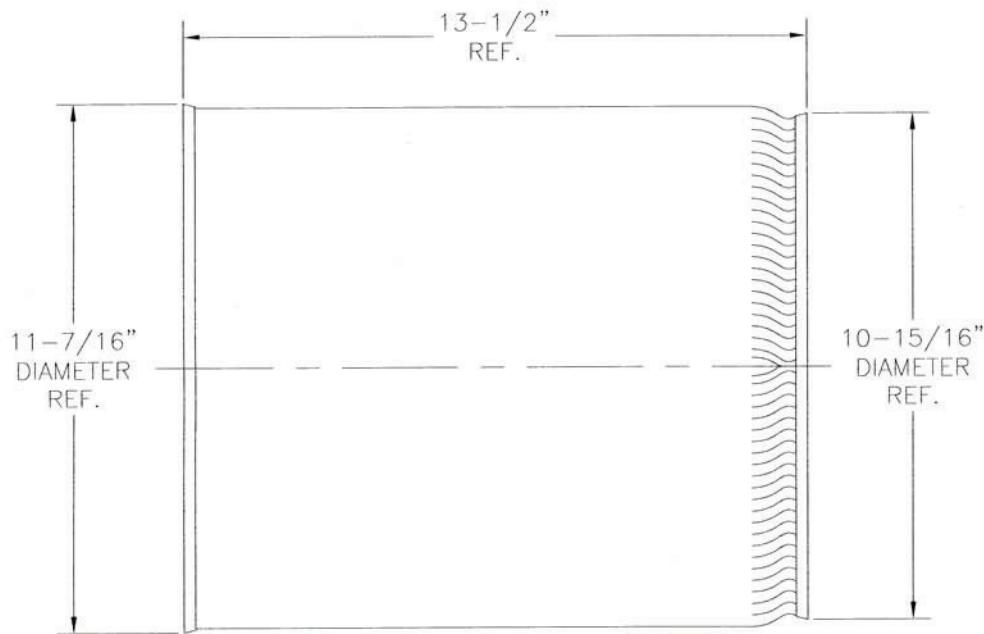


MIX IT. FILL IT. PACK IT. SHIP IT.

WE HAVE A PRODUCT FOR YOU



Part #	26W85B
Capacity	5 gal.
Color	Black
Material	Steel
Closure	Tight Head (Closed)
Lining	Pigmented Phenolic Lining
Steel Gauge	24/24/24 (Top/Body/Bottom)
Fittings	Rieke Opening
Dimensions	10-15/16" Dia. (top) x 11-7/16" Dia. (bottom) x 13-1/2"H
UN Rating Liquid	UN1A1/X1.3/250



CARY Supplied By: **The Cary Company**
 Ph: 630-629-6600
 www.thecarycompany.com

11-1/4" DIAMETER - 5 GALLON
 CLOSE TOP, STRAIGHT SIDED PAIL
 WITH RIEKE FLEXSPOUT FITTING

DRAWN BY:	SCALE	REV. BY	NO.	DATE	REVISION DESCRIPTION
JZ	NONE				
CHECKED BY:	DATE				
BH	1-21-11				
APPROVED BY:					

LOCATION	SUPERCEDES	MATERIAL	PRINT NO.	REV.
			PD500-5-065	