

ISSUE DATE:

2014-05-29

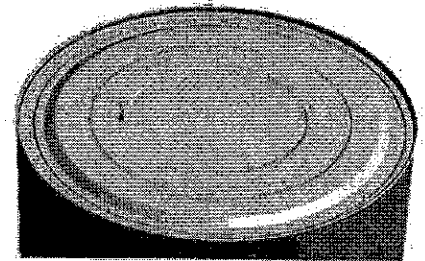
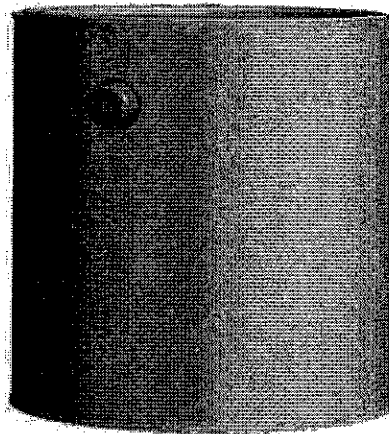
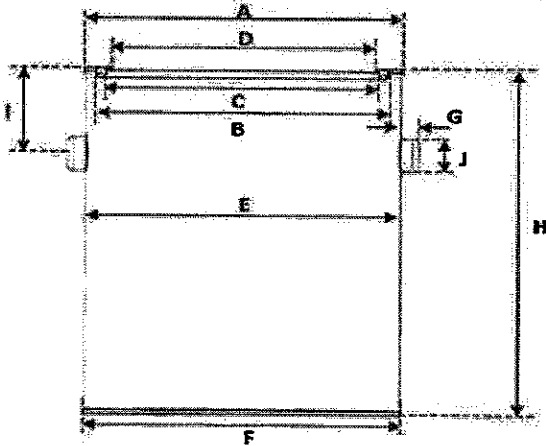
REV. DATE:

2015-01-26

**GALLON**

**Customer**

**STEEL GAUGE: 85 / 75 / 85  
ETP STEEL**



**Beaded end**

Inches

mm

	Inches		mm	
A) UPPER SEAM Ø	6.607	0.010	167.82	0.25
B) EXT. CHANNEL Ø	6.076	0.010	154.33	0.25
C) INT. CHANNEL Ø	5.715	0.010	145.16	0.25
D) INTERNAL RING Ø	5.525	0.010	140.34	0.25
E) INTERNAL Ø	6.498	0.010	165.05	0.25
F) LOWER SEAM Ø	6.590	0.010	167.39	0.25
G) WIDTH	0.393	0.020	9.98	0.61
H) TOTAL HEIGHT	7.650	0.020	194.31	0.51
J) HEIGHT	1.630	0.0007	41.40	0.018
J) LENGHT	0.768	0.0008	19.51	0.021
BODY THICKNESS	0.0094	0.0009	0.24	0.024
END THICKNESS	0.0083	0.0008	0.21	0.021
RING THICKNESS	0.0094	0.0009	0.24	0.024

DESCRIPTION	QUANTITY	UNIT